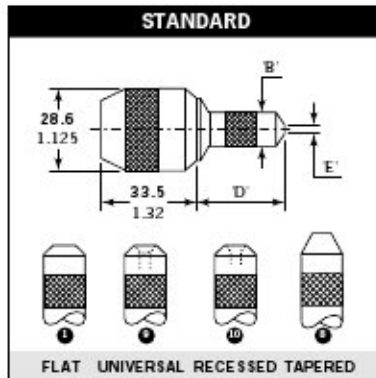


# Briv<sup>®</sup>, Chobert<sup>®</sup> & Grovit<sup>®</sup> Nose Equipment

Ensembles de nez / Mundstücke / Equipaggiamento / Equipos de colocación

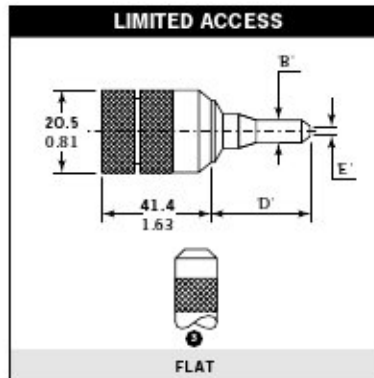


Applications with no or little access restrictions.  
Pour applications ne présentant que peu ou pas de contraintes d'accès.

Für alle gut zugänglichen Nietpunkte.

Adatta per applicazioni senza restrizioni di accesso o con restrizioni di accesso limitate.

Apta para aquellas aplicaciones sin ninguna o pocas restricciones de acceso.

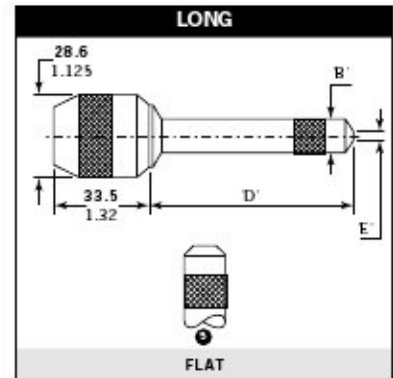


Allows access into very restrictive applications.  
Permet d'accéder à des applications à accès très limité.

Füreinganden Bauteilseiten anliegende Nietpunkte.

Consente l'accesso ad applicazioni con serie restrizioni di accesso.

Permite el acceso en aplicaciones de acceso extremadamente limitado.



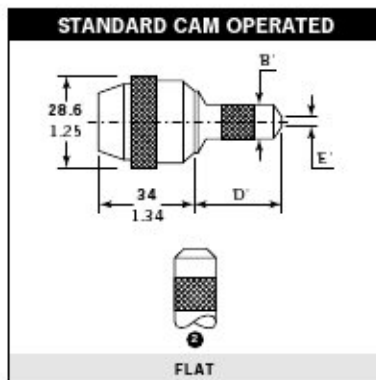
Allows more penetration into applications.

Permet une pénétration supérieure dans les applications sans autres contraintes d'accès.

Für tiefsitzende und eng an den Bauteilseiten anliegende Nietpunkte.

Consente una penetrazione maggiore nell'applicazione senza altre restrizioni di accesso.

Permite una mayor profundidad de acceso en aquellas aplicaciones sin restricción de acceso en anchura.



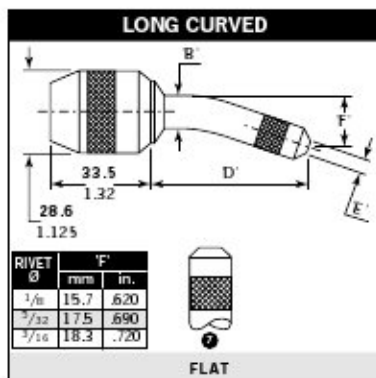
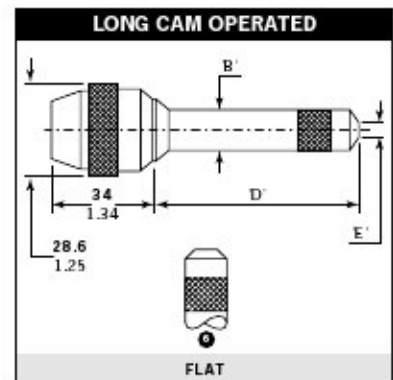
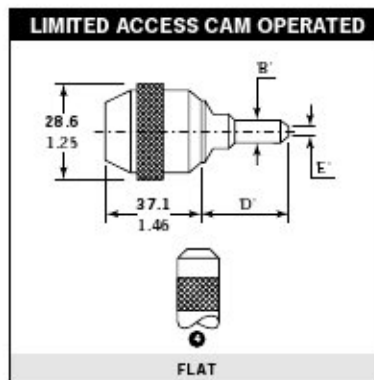
Nose equipment with addition of a twist cam to ease and speed up the nose jaw opening thus the pod reloading procedure.

Ensembles de nez avec, en plus, une came facilitant et accélérant l'ouverture du nez de pose, et donc le rechargement en fixations.

Zum leichteren Magazinieren haben diese Mundstücke durch einen Drehung zu öffnende Mundstückschnäbel.

Equipaggiamento con l'aggiunta di una camma per facilitare e rendere più veloce l'apertura della testata e pertanto la procedura di ricarica dell'astuccio portarivetti.

Boquillas que incorporan una leva para facilitar y hacer más rápida la apertura de la boquilla y el procedimiento de carga.



Allows more penetration into applications.

Permet une pénétration supérieure dans les applications à accès limité.

Für tiefsitzende und eng an den Bauteilseiten anliegende Nietpunkte.

Consente una penetrazione maggiore nelle applicazioni con restrizioni di accesso.

Permite una mayor penetración en las aplicaciones con acceso limitado.

## Type

- ① - ② Flat / Plat / Flach / Piatta / Plana
- ③ Tapered / Biseauté / Spitz / A punta / Conica
- ④ Universal / Universel / Für erhöhte Klammerkraft / Universale / concava
- ⑩ Recessed / En retrait / Spezial / Incassata / Apriete



An Acument™ Global Technologies Company

www.avdel-global.com

Briv<sup>®</sup>, Chobert<sup>®</sup> and Grovit<sup>®</sup> are trademarks of Avdel UK Limited

09.2008, page 1/2

Data shown is subject to change without prior notice as a result of continuous product development and improvement policy. Your local Avdel representative is at your disposal should you need to confirm latest information.

Avdel - Partner seit 1986



© 2007 Acument Intellectual Properties, LLC

# Briv<sup>®</sup>, Chobert<sup>®</sup> & Grovit<sup>®</sup> Nose Equipment

Ensembles de nez / Mundstücke / Equipaggiamento / Equipos de colocación

Ø nom.	Fastener / Rivets / Niettyp / Rivetti / Remaches	Nose Equipment / Nez de pose / Mundstück / Testata / Boquilla /	Type	Part No/ref	Dimensions / Dimension / Abmessungen / Dimensioni / Dimensiones		
					B	D	E
2.4 (3/32")	Briv <sup>®</sup> / Chobert <sup>®</sup> / Grovit <sup>®</sup>	Standard	①	07150-03003	9.14	33.02	4.06
		Standard cam operated	②	07170-04500	9.14	33.02	
		Limited access	③	07274-01000	5.59	27.18	
		Limited access cam operated	④	07177-03003	5.08	29.97	
		Standard tapered	⑤	07170-03103	9.14	33.02	
3.2 (1/8")	Briv <sup>®</sup> / Chobert <sup>®</sup> / Grovit <sup>®</sup>	Standard	①	07150-03004	10.41	29.97	5.08
		Standard cam operated	②	07170-04600		29.97	
		Long	⑤	07150-04004		55.37	
		Long cam operated	⑥	07170-05000		55.37	
		Long curved	⑦	07150-05004		53.85	
		Standard tapered	⑧	07170-03104		30.23	
4.0 (5/32")	Briv <sup>®</sup> / Chobert <sup>®</sup> / Grovit <sup>®</sup>	Standard	①	07150-03005	12.19	33.02	6.10
		Standard cam operated	②	07170-04700		33.02	
		Long	⑤	07150-04005		58.42	
		Long cam operated	⑥	07170-05100		58.42	
		Long curved	⑦	07150-05005		56.64	
	Chobert <sup>®</sup> / Grovit <sup>®</sup>	Standard tapered	⑧	07150-03105	11.18	33.02	
	4.8 (3/16")	Briv <sup>®</sup> / Chobert <sup>®</sup>	Standard	①	07150-03006	14.22	29.97
Standard cam operated			②	07170-04800	29.97		
Long			⑤	07150-04006	58.42		
Long cam operated			⑥	07170-05200	58.42		
Long curved			⑦	07150-05006	56.13		
Chobert <sup>®</sup>		Standard tapered	⑧	07150-03106	29.97		
6.0	Briv <sup>®</sup>	Standard	①	07170-05800	16.33	30.65	13.14
		Standard cam operated	②	07170-05600		30.65	
		Long	⑤	07170-05900		55.65	
		Long cam operated	⑥	07170-05700		55.65	
6.4 (1/4")	Chobert <sup>®</sup>	Standard	①	07150-03008	16.26	29.97	9.91
		Standard cam operated	②	07170-04900		29.97	
		Long	⑤	07150-04008		55.37	
		Long cam operated	⑥	07170-05300		55.37	

## Head forming Nose Equipment / a formage de tête / kopfformend / a formatura di testa / Tipo de boquilla

2.4 (3/32")	Briv <sup>®</sup>	Standard	⑨	07150-03203	9.14	33.78	6.60
3.2 (1/8")			⑩	07170-03004	10.41	30.48	7.62
4.0 (5/32")			⑨	07150-03204		30.99	7.69
4.8 (3/16")			⑩	07170-03005	12.19	33.53	10.41
			⑨	07150-03205		34.29	
			⑩	07170-03006	14.22	30.48	12.01
	⑨	07150-03206	31.50				

all dimensions in mm / en millimètres / alle Maße in mm / in millimetri / en milímetro

1) except stainless steel and countersunk / sauf inox et tête fraisée / außer Edelstahl und Senkkopf / eccetto Acciaio inox e testa svasata / excepto acero inoxidable y cabeza avellanada

⑨ maximises clench but reduces grip range by approx. 0.4 mm / obtenir le plus fort serrage possible, mais la prise maximum se trouve réduite d'environ 0,4 mm / maximierte Klemmkraft bei Verringerung des Klemmbereiches um ca. 0,4 mm / ottiene la ribaditura più alta possibile, ma la distanza massima tra i centri dei rivetti viene ridotta di circa 0,4 mm / se alcanza un máximo apriete en la fijación, pero el espesor máximo se reduce en aproximadamente 0,4 mm

⑩ increases clench without affecting grip range / Augmente le sertissage sans influencer l'épaisseur / erhöhte Klemmkraft bei gleichem Klemmbereich / aumenta la ribaditura (la presa di rivettatura) senza compromettere lo spessore / **Avdel - Partner seit 1986**



An Acument™ Global Technologies Company

www.avdel-global.com

Briv<sup>®</sup>, Chobert<sup>®</sup> and Grovit<sup>®</sup> are trademarks of Avdel UK Limited

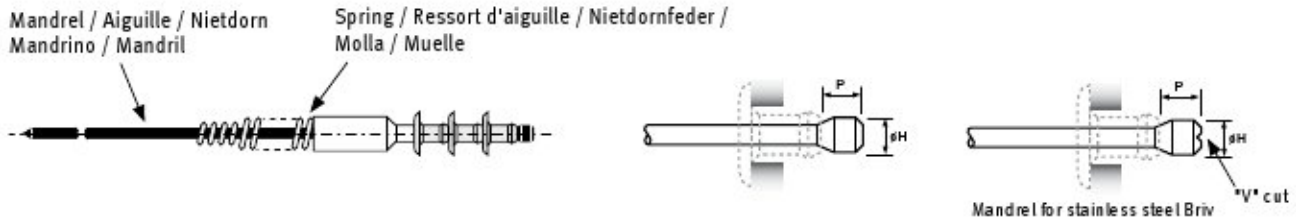
09.2008, page 2/2


Data shown is subject to change without prior notice as a result of continuous product development and improvement policy. Your local Avdel representative is at your disposal should you need to confirm latest information.



# Briv® Mandrel and Spring Information

Aiguilles et Ressorts d'aiguille / Nietdorne und -federn  
Mandrini e Molle / Mandriles y Muelles



ø nom.		Description / description / Beschreibung / descrizione / descripción	ø H	P max.	Standard Nose Equipment Nez de pose Standard Standard-Mundstück Testata Standard Boquilla Estándar		Long Nose Equipment Nez de pose Long Langes Mundstück Testata Lunga Boquilla Larga	
					Mandrel Part No/ref	Spring Part No/ref	Mandrel Part No/ref	Spring Part No/ref
2.4 (3/32") Brass, Aluminium	as rec.	Standard green	1.83	3.02	07150-06013	07150-06803 <sup>1)</sup>	N/A	N/A
	+ 0.10	1. oversize yellow	1.93	3.12	07150-06113			
	+ 0.20	2. oversize blue	2.01	3.20	07150-06213			
3.2 (1/8") Brass, Aluminium, Steel	as rec.	Standard green	2.34	3.05	07271-06414	07150-06814	07271-07414	07150-07814
	+ 0.13	1. oversize yellow	2.46	3.20	07271-06514		07271-07514	
	+ 0.25	2. oversize blue	2.59	3.38	07271-06614		07271-07614	
3.2 (1/8") Stainless Steel	as rec.	Standard green	2.49	3.07	07170-06804	07150-06814	07170-07804	07150-07814
	+ 0.13	1. oversize yellow	2.62	3.25	07170-06824		07170-07824	
4.0 (5/32") Brass, Aluminium, Steel	as rec.	Standard green	2.79	3.45	07150-06015	07170-06875	07150-07015	07170-07875
	+ 0.13	1. oversize yellow	2.92	3.61	07150-06115		07150-07115	
	+ 0.25	2. oversize blue	3.05	3.78	07150-06215		07150-07215	
4.0 (5/32") Stainless Steel	as rec.	Standard green	3.05	3.20	07170-06805	07170-06875	07170-07805	07170-07875
	+ 0.13	1. oversize yellow	3.18	3.35	07170-06825		07170-07825	
4.8 (3/16") Brass, Aluminium, Steel	as rec.	Standard green	3.58	3.99	07150-06016	07170-06876	07150-07016	07170-07876
	+ 0.13	1. oversize yellow	3.71	4.17	07150-06116		07150-07116	
	+ 0.25	2. oversize blue	3.84	4.32	07150-06216		07150-07216	
	+ 0.30	3. oversize red	3.85	4.39	07150-06316		07150-07316	
4.8 (3/16") Stainless Steel	as rec.	Standard green	3.89	3.81	07170-06806	07170-06876	07170-07806	07170-07876
	+ 0.13	1. oversize yellow	4.01	3.96	07170-06826		07170-07826	
6.0 Aluminium, Steel	as rec.	Standard green	4.54	4.18	07150-06018	07150-06846	07150-07018	07150-07846
	+ 0.13	1. oversize yellow	4.67	4.34	07150-06118		07150-07118	
	+ 0.25	2. oversize blue	4.79	4.49	07150-06218		07150-07218	

all dimensions in mm / en millimètres / alle Maße in mm / in millimetri / en milímetro

- 1) For use with standard flat nose piece. For tapered nose piece use spring 07170-06873 and for limited access nose piece use 07170-06903.  
Pour utilisation avec nez de pose standard. Avec le nez de pose biseauté utilisez le ressort d'aiguille 07170-06873 et avec le nez de pose en retrait utilisez le 07170-06903.  
Für Verwendung mit Standard Mundstück flach. Bei spitzem Mundstück verwenden Sie Feder 07170-06873 und bei abgesetztem Mundstück Feder 07170-06903.  
Per uso con nasello standard a filo. Con nasello a punta usate molle 07170-06873 e con nasello incassata usate molle 07170-06903.  
Para uso con boquilla estándar plana. Con boquilla cónica utilizar muelle 07170-06873 y con boquilla de acceso limitado utilizar 07170-06903.

English	Français	Deutsch	Italiano	Español
Aluminium	Aluminium	Aluminium	Alluminio	Aluminio
Brass	Laiton	Kupfer-Zink Leg.	Ottone	Latón
Steel	Acier	Stahl	Acciaio	Acero
Stainless Steel	Inox	Edelstahl	Acciaio inox	Acero inoxidable
Standard green	Standard verte	Standard grün	Standard verd	
1. oversize yellow	1. surdimensionnée jaune	1. Übermaß gelb	1. maggiorazi	
2. oversize blue	2. surdimensionnée bleue	2. Übermaß blau	2. maggiorazi	
3. oversize red	3. surdimensionnée rouge	3. Übermaß rot	3. maggiorazi	



An Acument™ Global Technologies Company

www.avdel-global.com

© 2007 Acument Intellectual Properties, LLC

Briv® is a trademark of Avdel UK Limited

05a.2007

Data shown is subject to change without prior notice as a result of continuous product development and improvement policy.  
Your local Avdel representative is at your disposal should you need to confirm latest information.